

CABLE 190 RF: RF CABLE ASSEMBLY, I-PEX MHF + FRONT MOUNT RP TNC BULKHEAD WITH O-RING + 1.32MM DOUBLE SHIELD CABLE

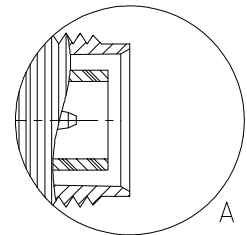
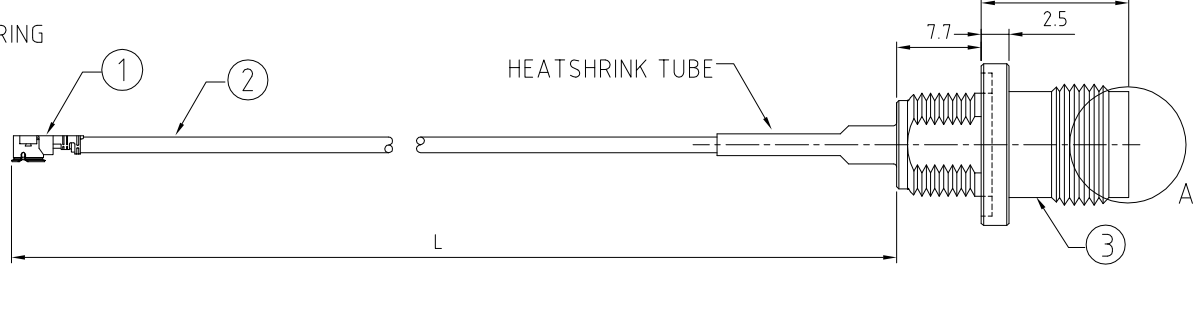
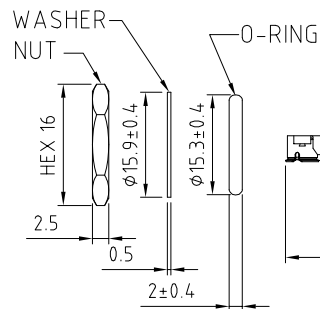
SPECIFICATIONS :

1. I-PEX MHF PLUG , P/N: 20278-112R-32
2.  $\phi$ 1.32 DOUBLE SHIELD COAXIAL CABLE, COLOR: GRAY.
3. FRONT MOUNT RP TNC BULKHEAD JACK WITH O-RING, P/N: C26CU3F178023.

NOTES:

1. THE ORIENTATION OF CONNECTORS ON DRAWING IS FOR REFERENCE ONLY, IF THE ORDER IS LEFT BLANK THE CONNECTOR WILL NOT HAVE FIXED ORIENTATION.
  2. FIXED ORIENTATION IS SUGGESTED FOR CABLE LENGTH 25MM TO 100MM. PLEASE SPECIFY THE FIXED ORIENTATIONS FROM THE ORDER CODE (F1, F2, ETC)
  3. CONTACT GRAD CONN IF THE ORIENTATION YOU REQUIRE IS NOT SHOWN.
  4. WORKING FREQUENCY RANGE: DC-3GHz
  5. IT IS INTENDED THAT MOUNTING OF THIS CONNECTOR IS ACHIEVED USING THE NUT AND WASHER PROVIDED.
- PLEASE CONTACT GRADCONN FOR ADVISE IF PLANNING TO USE A DIFFERENT METHOD OF MOUNTING.

USAGE PRECAUTIONS: CABLES USING 'MICRO' COAX ARE DELICATE:  
 (i) HANDLE WITH CARE.  
 (ii) DO NOT TWIST; APPLY EXCESSIVE FORCES OR SHARP BENDS TO THE CABLE. DO NOT FORCEFULLY DEFORM WIRES.  
 (iii) CONSULT CONNECTOR MANUFACTURER'S DATASHEETS FOR DETAILED NOTES ON HANDLING INSTRUCTIONS.



HOW TO ORDER

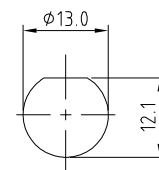
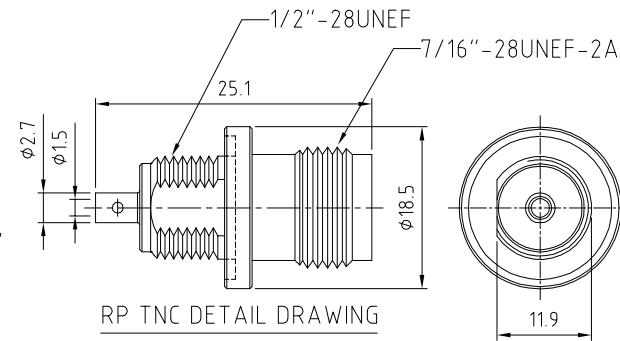
CABLE 190 RF - X X X - X X - X - 1

"L" LENGTH IN MM:  
 eg: 100MM = 100  
 (MIN. 025-MAX.999)  
 STANDARD = 100, 150, 200  
 Tolerance: <math>-50\text{mm}</math> :  $\pm 2\text{mm}</math>.  
 51-200mm:  $\pm 5\text{mm}</math>.  
 201-500mm:  $\pm 7\text{mm}</math>.  
 501-999mm:  $\pm 10\text{mm}</math>.$$$$

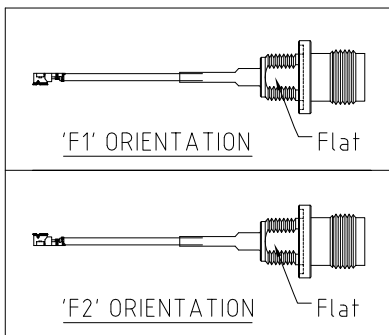
CABLE SIZE OPTIONS:  
 1 =  $\phi$ 1.32MM DOUBLE SHIELD CABLE, COLOR: GRAY

O-RING, WASHER AND NUT OPTIONS:  
 BLANK = SEPARATELY PACKED (STANDARD)  
 A = ALL ASSEMBLED WITH CONNECTOR

ORIENTATION OPTIONS:  
 BLANK = DOES NOT HAVE A FIXED ORIENTATION  
 F1 = MHF CONNECTION DOWN (L=25-220MM)  
 F2 = MHF CONNECTION UP (L=25-220MM)  
 (SEE NOTES 1, 2, 3 AND DIAGRAMS FOR MORE INFORMATION)



RECOMMENDED TNC MOUNTING HOLE



Scale: NTS	THIRD ANGLE	Unstated X .XX .XXX ANGLES	Tolerances: N/A N/A N/A N/A	Material SEE NOTE
Drawn: NYW				
App'd: XXX	Title: CABLE ASSEMBLY	NOT TO SCALE		
Date: 17 AUG. '20	Revision: 1.0	Unit: mm		

